

Afterroom Lounge Chair



Lounge Chair

Furniture—Product Sheet
menu.as

by Afterroom Studio



Afterroom Lounge Chair



Product Type

Lounge Chair

Environment

Indoor

Dimensions (cm / in)

H: 75 cm / 29,5"

SH: 36 cm / 14,2"

W: 70 cm / 27,6"

D: 80 cm / 31,5"

Colours

Black

Cognac

The lounge chair came about by combining inspiration from two iconic chairs of early modernism: the 'Thonet Bentwood Armchair' by Michael Thonet and the 'Spanish Chair' by Børge Mogensen. The combination of these two classics resulted in something new – just as elegant as the Thonet and as comfortable as the Spanish Chair. The chair is not only a wonderful piece of design. It is also extremely comfortable and, moreover, provides you with a majestic posture.

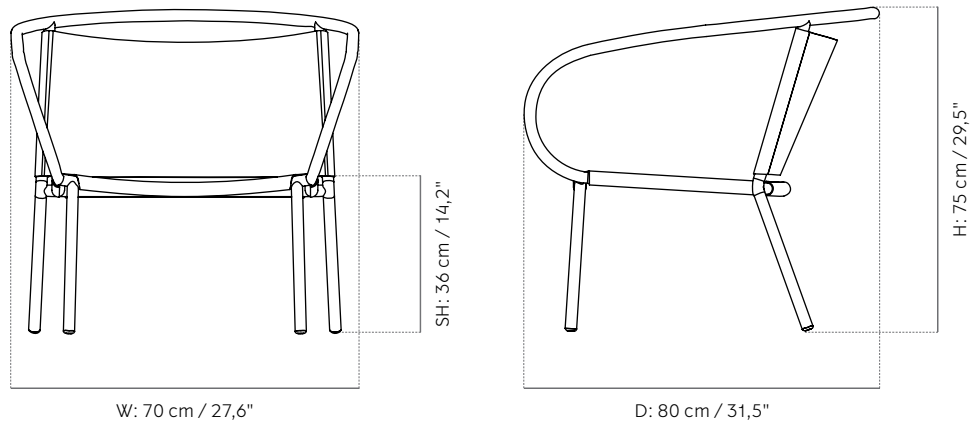
It is an extremely lightweight lounge chair and, thus, easy to move around in the home. The aniline leather supplied by the premium leather manufacturer, Sørensen, will age with time and add character to the product.

About the Designer

Afterroom is a Stockholm-based design studio, respecting wear and tear and the passage of time. Founded and directed by Hung-Ming Chen and Chen-Yen Wei, the studio's mission is simply to create beautiful products which will increase in value with the passage of time – design with which one can grow old. The inspiration derives from an intriguing interest in forms, senses, proportions, materials and cultures. The philosophy pivots around simplicity and honesty.

Afterroom Lounge Chair

Technical Specifications



Production Process

Frame is made bended and welded Ø22 steel tube. All frames have a powder coated finish. Upholstery is made from leather – seat part is stapled onto a plywood construction, while backrest is made from a double layer of leather with double stitching along the edges and riveted in each corner.

Materials

Powder Coated Steel, Plywood, Upholstery and Foam.

Colour Code

Black (RAL 9005)

Weight item (kg)

9,65 kg

Test

N/A

Certifications

N/A

Packaging Type

Brown Box

Packaging Measurement (H * W * D)

80 cm * 88 cm * 81 cm

Care Instructions

To clean, simply wipe with a soft cloth using hot water and a mild detergent. The seat and back should be cleaned according to the recommendations of the leather supplier.

Afterroom Lounge Chair



Black
8860539



Gognac
8860969