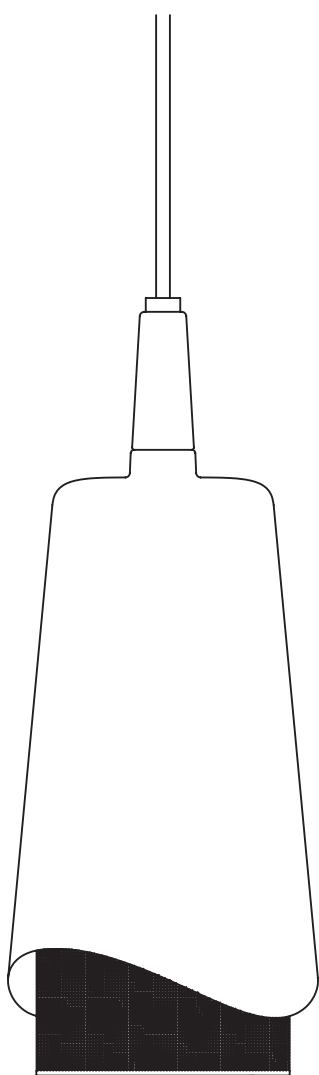


# Umanoff Pendant by Arthur Umanoff



MENU

### Congratulations

Congratulations on your new lamp designed by Arthur Umanoff. We hope you will enjoy using this lamp and follow these instructions to ensure correct installation. These instructions are provided for your safety. It is important that the instructions are read carefully and completely before assembling.

### Umanoff Collection

A compilation of heritage designs rooted in American Modernism and imagined by the late, great mid-century modern designer Arthur Umanoff, MENU's Umanoff Collection profiles uniqueness of design, quality of craftsmanship and natural materials.

The result is a collection of much-loved pieces with a long and rich history, updated to modern sensibilities and carefully crafted to exacting standards. Inspired by the idea of a collector's home and rendered in Umanoff's preferred medium of metal and wood, the interior object collection profiles the designer's unmistakable slender and streamlined silhouettes with industrial edge

### Component overview and technical details

1 pc. Umanoff Pendant, with 4 meter textiled covered PVC cord and E26 socket (max 40 Watt) and black ABS canopy.

All the electrical components are either UL or ETL certified.

### Care and maintenance

Please see care instructions on [www.menuspace.com](http://www.menuspace.com)

**BE SURE THE ELECTRICITY TO THE WIRES YOU ARE WORKING ON IS SHUT OFF; EITHER THE FUSE IS REMOVED OR THE CIRCUIT BREAKER IS TURNED OFF.**

Please check the specific rules for electrical installation work in your country.

Some countries may require an authorised electrical contractor.

### IMPORTANT

If you have any problems regarding the electrical installation, contact a certified electrician. Always shut off power to the circuit before starting installation work.

The external flexible cable or cord of this luminaire cannot be replaced. If the cord is damaged, the luminaire shall be destroyed.

### WARNINGS

Dispose of plastic bag from packaging and do not allow children to play with it.

- Keep product well out of children's reach.

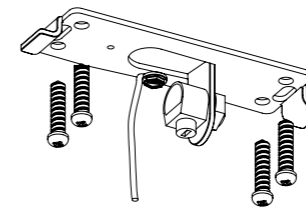
- Do not attempt installation of product if you are not competent to do so yourself.

- Consult a professionally qualified electrician if in any doubt.

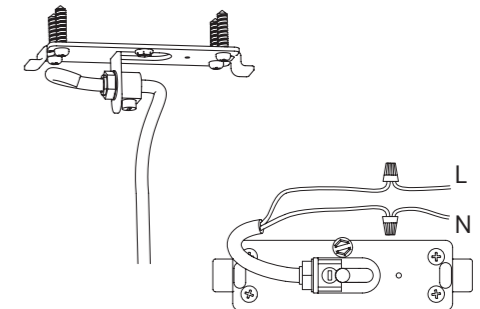
CAUTION - RISK OF ELECTRIC SHOCK. DO NOT USE IF OUTER LAMP ENVELOPE IS DAMAGED OR BROKEN.



1



2



3

