



PRODUCT SHEET

Eave Modular Sofa
by Norm Architects

Eave Modular Sofa

BY NORM ARCHITECTS

Module-based, foam-filled sofa with corner, open and pouf sections in textile upholstery.



PRODUCT OPTIONS

CORNER



OPEN SECTION



POUF



SPEC OPTIONS

Available in fabrics from our upholstery programme. Standard lead times apply. Custom upholstery available upon request. For further information please refer to MENU Upholstery Programme.

Eave Modular Sofa, Safire 0012, by Norm Architects
Hashira Pendant, Cluster, Large, by Norm Architects
Hashira Floor Lamp, by Norm Architects
Knitting Chair, Dark Stained Oak / Dakar 0311, by Ib Kofod-Larsen
Tearoom Lounge Chair, Deco Avorio T14035 001, by Nick Ross
Androgyne Side Table, Ivory steel / Crystal beige rose, by Danielle Siggerud
Plinth Low, Grey Kendzo Marble, by Norm Architects
Gravel Rug, Ivory, by Nina Bruun
Duca Candleholders, Polished Brass, by Krøyer-Sætter-Lassen

Eave Modular Sofa

BY NORM ARCHITECTS

TECHNICAL SPECIFICATIONS

PRODUCT TYPE
Sofa

ENVIRONMENT
Indoor

DIMENSIONS

Corner, 86
H: 70,5 cm / 27,8"
W: 86 cm / 33,9"
D: 86 cm / 33,9"
SH: 40,5 cm / 15,9"

Open section, 86
H: 70,5 cm / 27,8"
W: 75 cm / 29,5"
D: 86 cm / 33,9"
SH: 40,5 cm / 15,9"

Pouf, 75
H: 40,5 cm / 15,9"
W: 75 cm / 29,5"
D: 75 cm / 29,5"
SH: 40,5 cm / 15,9"

Pouf, 96
H: 40,5 cm / 15,9"
W: 96 cm / 37,8"
D: 96 cm / 37,8"
SH: 40,5 cm / 15,9"

PRODUCTION PROCESS

Each module is constructed with a structural frame made from pine, plywood and MDF. Seat, backrest and armrests consist of a double foam layer with no-sag springs.

COLOUR
Dependent upon selected upholstery.
Black glides (RAL 9005)

GLOSS
N / A

MATERIALS

Seat
Pine, plywood, MDF, steel (spring), HR Foam and upholstery

Glides and connector
Plastic, steel

WEIGHT

Corner, 86: 32 kg / 70,5 lb
Corner, 96: 38 kg / 83,8 lb
Open Section, 86: 24 kg / 52,9 lb
Open Section, 96: 29 kg / 63,9 lb
Pouf, 75: 19 kg / 41,9 lb
Pouf, 86: 22 kg / 48,5 lb
Pouf, 96: 35 kg / 77,2 lb

CORNER VARIANTS

Corner modules come in left and right variants according to fabric weave direction. Please ensure you select the correct one for your needs.

TEST
N / A

CERTIFICATIONS
TSCA title VI compliant

PACKAGING TYPE
Brown box

PACKAGING MEASUREMENTS (H x W x D)

Corner, 86
73 cm x 88 cm x 88 cm / 27,7" x 34,6" x 34,6"

Corner, 96
73 cm x 98 cm x 102 cm / 28,7" x 38,6" x 40,2"

Open section, 86
73 cm x 88 cm x 77 cm / 27,7" x 34,6" x 30,3"

Open section, 96
73 cm x 77 cm x 98 cm / 27,7" x 30,3" x 38,6"

Pouf, 75
34 cm x 77 cm x 77 cm / 17" x 30,3" x 30,3"

Pouf, 86
73 cm x 87 cm x 87 cm / 28,7" x 34,3" x 34,3"

Pouf, 96
41 cm x 96 cm x 96 cm / 16,1" x 37,8" x 37,8"

MATERIALS & MAINTENANCE

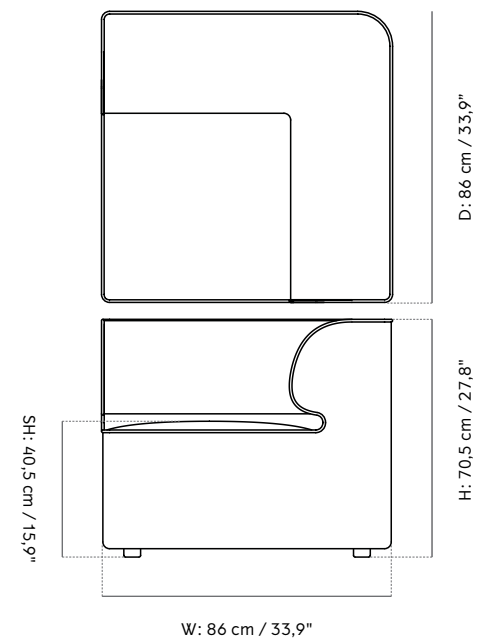
Please visit [menuspace.com](https://www.menuspace.com) for materials and care and maintenance instructions.

Eave Modular Sofa

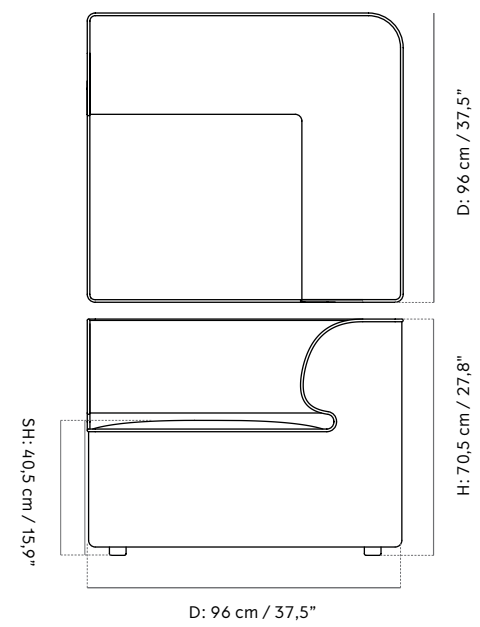
BY NORM ARCHITECTS

TECHNICAL DRAWING

EAVE MODULAR SOFA, CORNER 86



EAVE MODULAR SOFA, CORNER 96

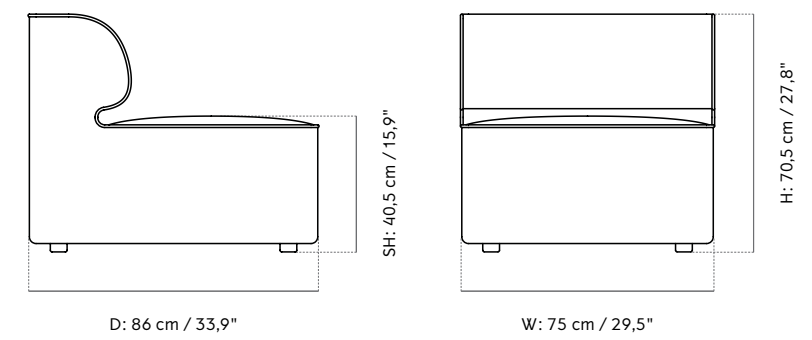


Eave Modular Sofa

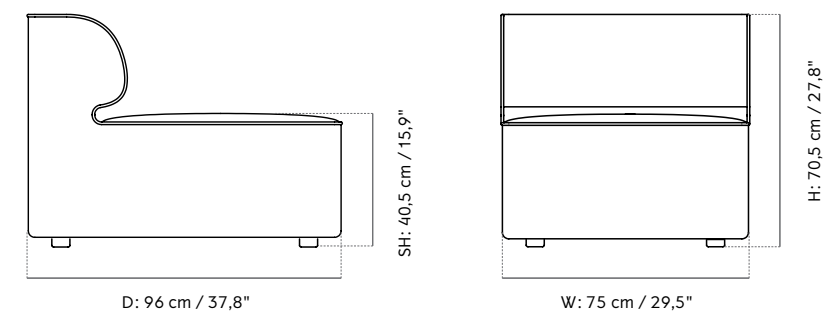
BY NORM ARCHITECTS

TECHNICAL DRAWING

EAVE MODULAR SOFA, OPEN SECTION 86



EAVE MODULAR SOFA, OPEN SECTION 96

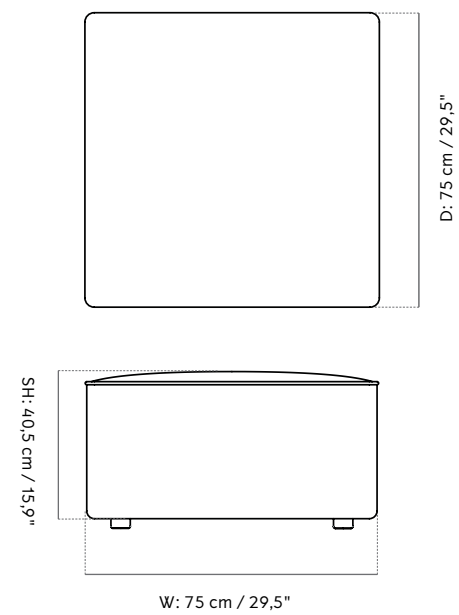


Eave Modular Sofa

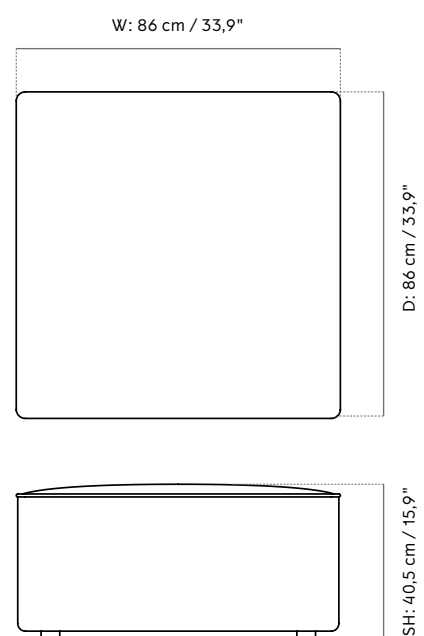
BY NORM ARCHITECTS

TECHNICAL DRAWING

EAVE MODULAR SOFA, POUF 75



EAVE MODULAR SOFA, POUF 86



Eave Modular Sofa

BY NORM ARCHITECTS

TECHNICAL DRAWING

EAVE MODULAR SOFA, POUF 96

