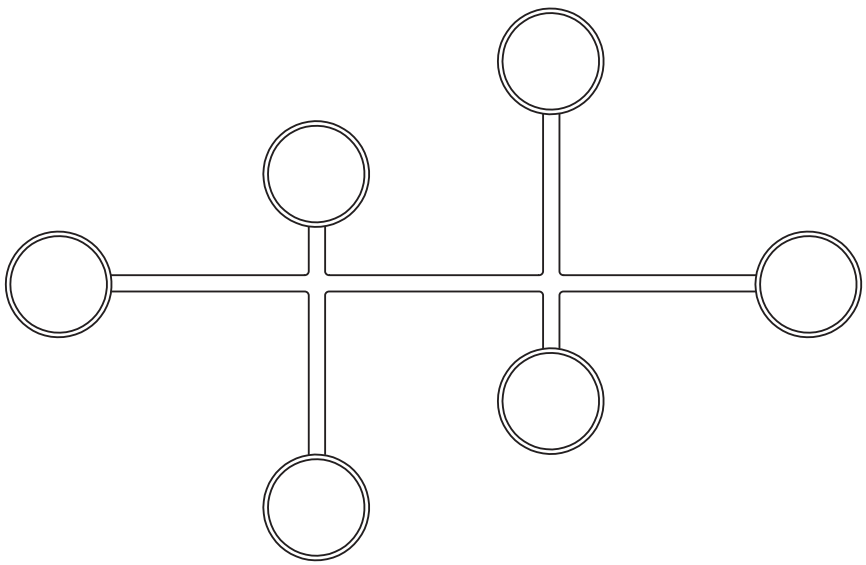


# Afterroom Coat Hanger by Afterroom



# Components

**Rawplug** x 4

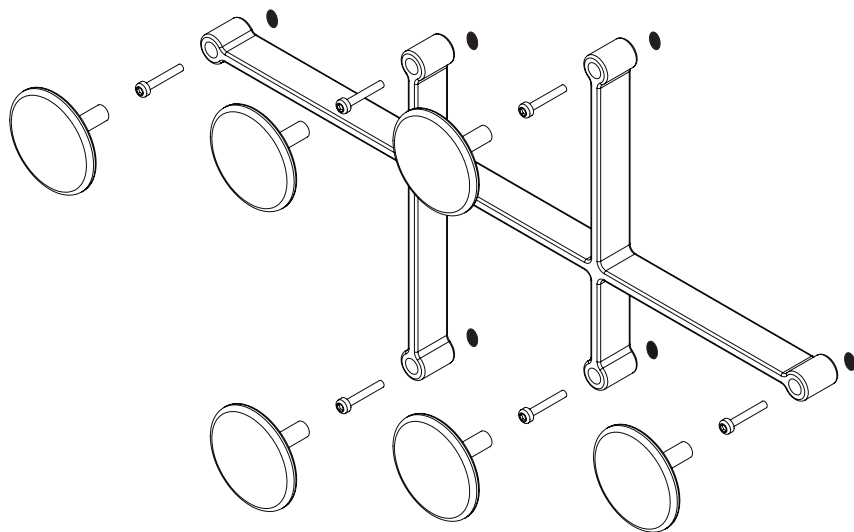


**Screws** x 4



Four screws are included. Two for the horizontal line and one above and below the horizontal line. Use screws and wall plugs that are suitable for the walls in your home. If you are uncertain as to which types of screws/wall plugs to use, you should ask your DIY store. Max weight for the Coat Hanger is 10 kg.

1



2

